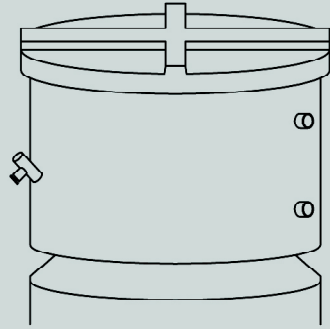


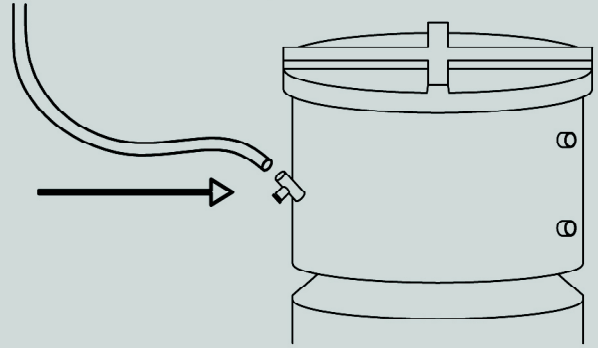
1

Before plugging in your system to the electrical outlet, the pump must be primed with water.



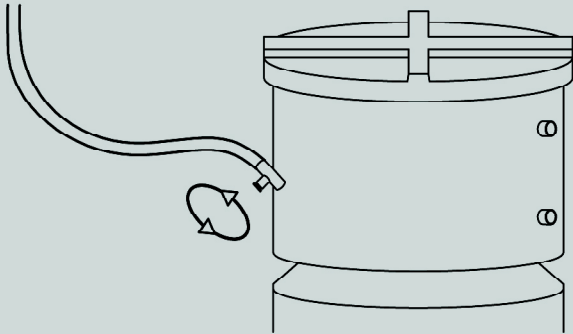
2

To prime the pump connect a hose to the irrigation faucet holding the top end of the hose above the top of the tank.



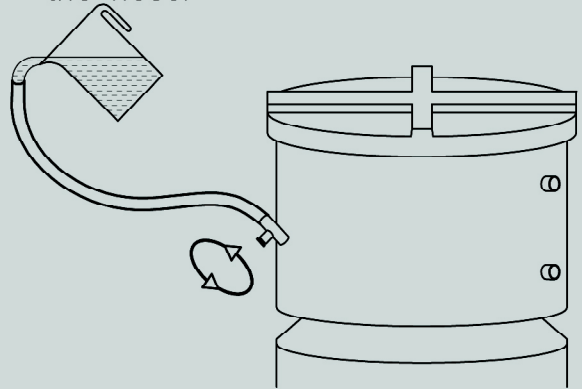
3

Open the irrigation faucet.



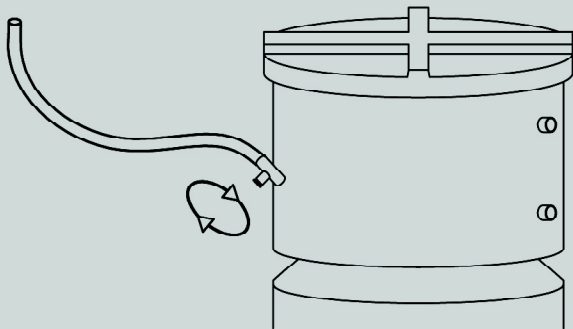
4

Slowly pour water down the hose until no more water flows down the hose.



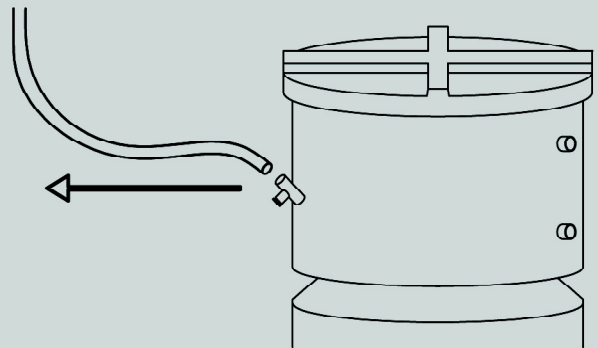
5

Close the irrigation faucet, the pump is now primed.



6

Remove the hose from the irrigation faucet.



Priming the pump

required before installation

